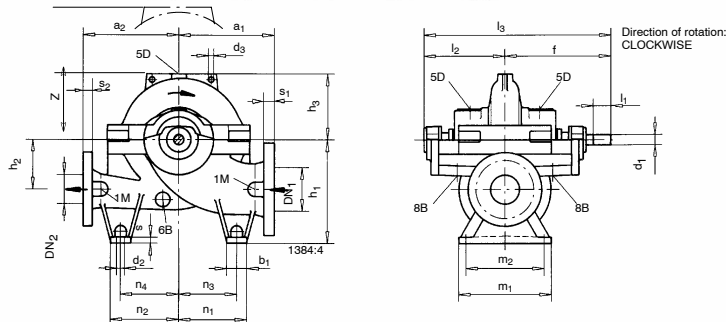
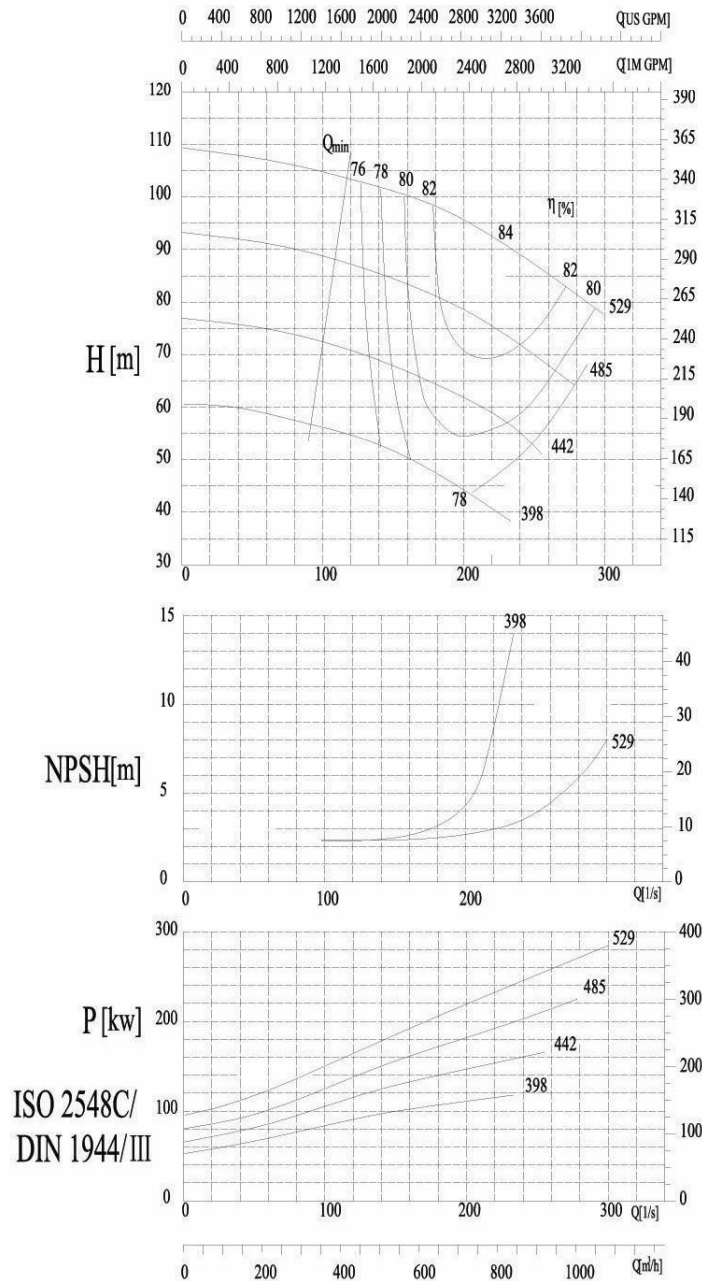


## Pump Model CPS 250-200-520

Speed 1450rpm



Pump Size	FLANGE DIMENSIONS				PUMP DIMENSIONS									
	DN1	DN2	s1	s2	a1	a2	d3	f	h1	h2	h3	l2	l3	z
CPS 250-200-520	250	200	47.6	41.3	600	500	24.5	655	560	300	370	464	1119	740
	FOOT DIMENSIONS										SHAFT		PUMP WEIGHT (kg)	
	b1	d2	m1	m2	n1	n2	n3	n4	s	d1	L1	840		
	70	22	480	400	385	385	350	350	26	65	140			